

Carbon steel Y strainer flanged Class 150 PN20 for water distribution, gas oil, steam, petrochemical, petroleum industry and gas.

Removable stainless steel filter and bolted bonnet.

Draining cap threaded NPT.



PED 2014/68/UE



**Size :** DN50 to DN400 (NPS 2" to 16")

**Connection :** Flanges RF Class 150 PN20

**Min Temperature :** -29°C

**Max Temperature :** +425°C

**Max Pressure :** 20 Bars

**Specifications :** Removable stainless steel filter

Bolted bonnet with draining cap threaded NPT

**Materials :** Carbon steel ASTM A216 WCB

**SPECIFICATIONS :**

- Removable stainless steel filter
- Flanges R.F. Class 150 (PN20)
- Horizontal or vertical position with descendant fluid (respect the flow direction indicated by the arrow )
- Mesh 1 mm for DN50 (2"), 1.5 mm from DN65 to 400 (2"1/2 to 16")
- Bolted bonnet with draining cap threaded NPT
- Grey acrylic painting RAL 7001 color, 60 µm thickness

**USE :**

- Water distribution, gas oil, steam, petrochemical, petroleum industry, gas
- Min Temperature Ts : - 29°C
- Max Temperature Ts :+ 425°C
- Max Pressure Ps : 20 bars

**PRESSURE / TEMPERATURE RELATION :**

( According to AMSE B16-34 for A216 WCB )

Pressure ( Bar )	19.6	19.6	17.9	15.8	13.8	11.7	9.6	8.6	7.6	6.5	5.5
Temperature ( °C )	-29	38	93	149	204	260	316	343	371	399	425

**PRESSURE / TEMPERATURE GRAPH :**

Pressure



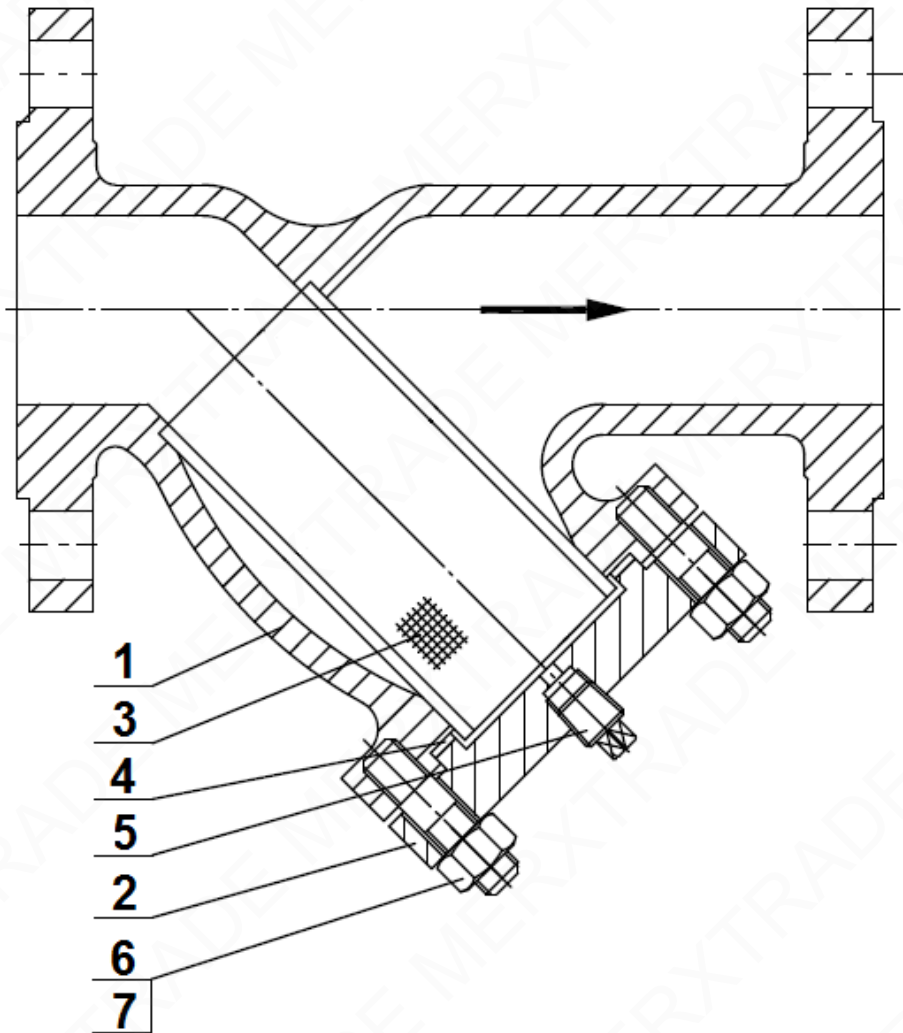
**FLOW COEFFICIENT Kvs ( M3 / h ) :**

DN (mm)	50	65	80	100	150	200	250	300	350	400
NPS (")	2"	2"1/2	3"	4"	6"	8"	10"	12"	14"	16"
Kvs ( m3/h )	50	60	90	150	350	600	1000	1400	1800	2400

**RANGE :**

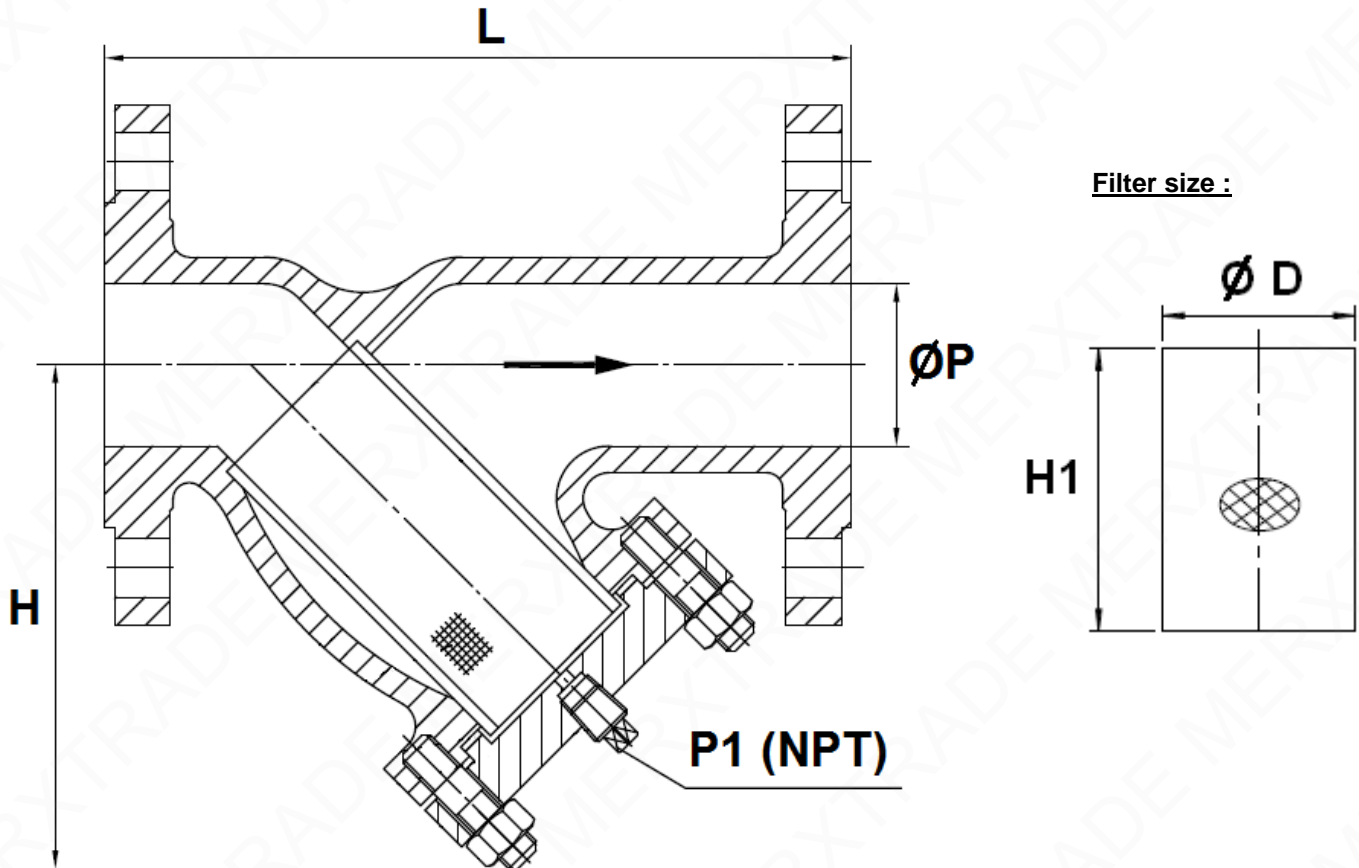
- Carbon steel strainer flanged R.F. Class 150 (PN20) **Ref. 243** from DN 50 to DN 400 ( NPS from 2" to 16" )

**MATERIALS :**

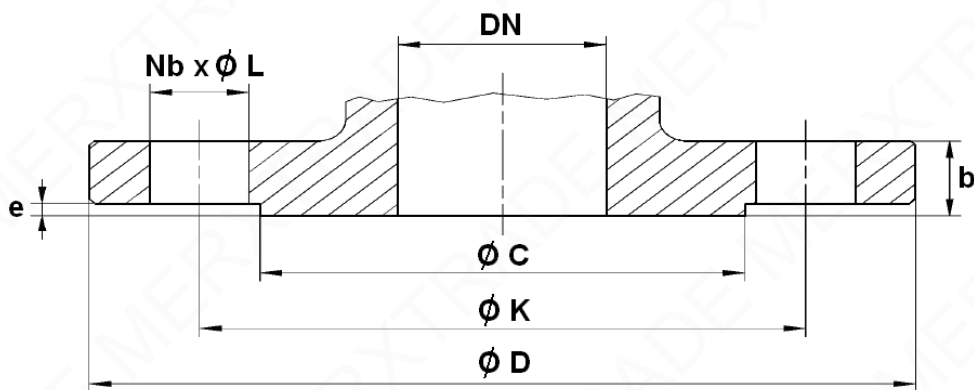


Item	Designation	Materials
1	Body	ASTM A216 WCB
2	Bonnet	ASTM A216 WCB
3	Filter	AISI 304
4	Bonnet gasket	Graphite + AISI 304
5	Draining cap	Steel
6	Stud bolt	ASTM A193 Gr.B7
7	Nut	ASTM A194 Gr.2H

**SIZE ( in mm ) :**



DN (mm)	50	65	80	100	150	200	250	300	350	400
NPS (")	2"	2 1/2"	3"	4"	6"	8"	10"	12"	14"	16"
Ø P	50	65	80	100	150	200	250	300	350	400
L	203	216	241	292	406	495	622	699	787	914
H	146	156	175	227	283	372	443	495	695	840
P1 ( drain NPT )	1/2"	1/2"	1/2"	1/2"	3/4"	3/4"	1"	1"	1"	1"
Ø D	55	60	80	105	150	190	235	280	340	390
H1	110	120	135	175	210	275	355	365	435	465
Mesh	1	1.5	1.5	1.5	1.5	1.5	1.5	1.5	1.5	1.5
Weight ( Kg )	8	11	15	24	39	67.2	133	198	319	405
Ref.	243050	243065	243080	243100	243150	243200	243250	243300	243350	243400

**FLANGES SIZE ( in mm ) :**


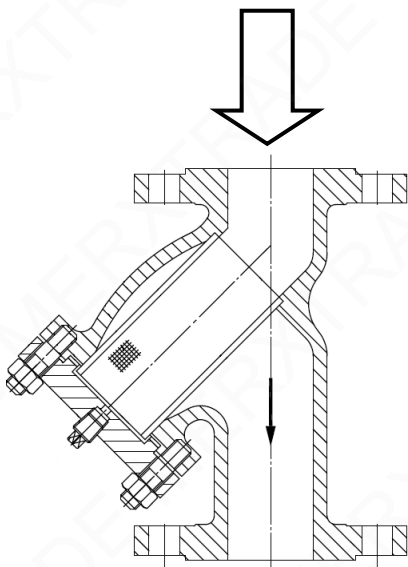
DN (mm)	50	65	80	100	150	200	250	300	350	400
NPS (")	2"	2"1/2	3"	4"	6"	8"	10"	12"	14"	16"
$\varnothing C$	92.1	104.8	127	157.2	215.9	269.9	323.8	381	412.8	469.9
$\varnothing D$	150	180	190	230	280	345	405	485	535	595
$\varnothing K$	120.7	139.7	152.5	190.5	241.5	298.5	362	432	476	540
$Nb \times \varnothing L$	4 x 19	4 x 19	4 x 19	8 x 19	8 x 22	8 x 22	12 x 26	12 x 26	12 x 29	16 x 29
b	16.3	17.9	19.5	24.3	25.9	29	30.6	32.2	35.4	37
e	2	2	2	2	2	2	2	2	2	2

**STANDARDS :**

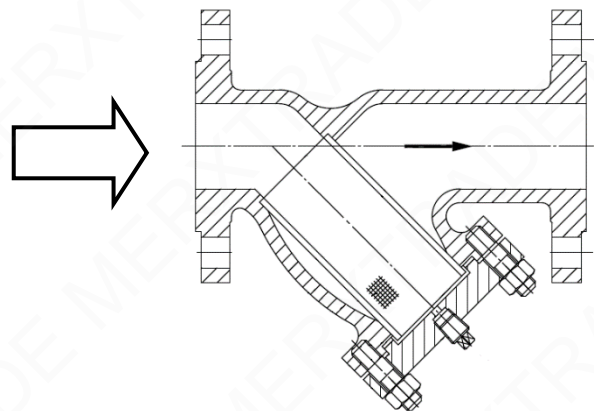
- Manufacturer certified ISO 9001: 2015 and ISO 14001: 2015
- DIRECTIVE 2014/68/EU : CE N° 0036  
Risk category III module H
- Certificate 3.1 on request
- Designing according to ASME B16.34
- Pressure tests according to API 598, table 6
- Length according to ASME B16.10 table 1 A15 series and EN 558 series 10 (EN558 series 7 for DN150 6")
- Flanges R.F. according to ASME B16.05 Class 150
- Materials according to NACE MR 01-75 **on request**

**INSTALLATION POSITIONS :**

**Vertical position ( descendand fluid )**



**Horizontal position**



**ADVICE :** Our opinion and our advice are not guaranteed and MERXTRADE shall not be liable for the consequences of damages. The customer must check the right choice of the products with the real service conditions.